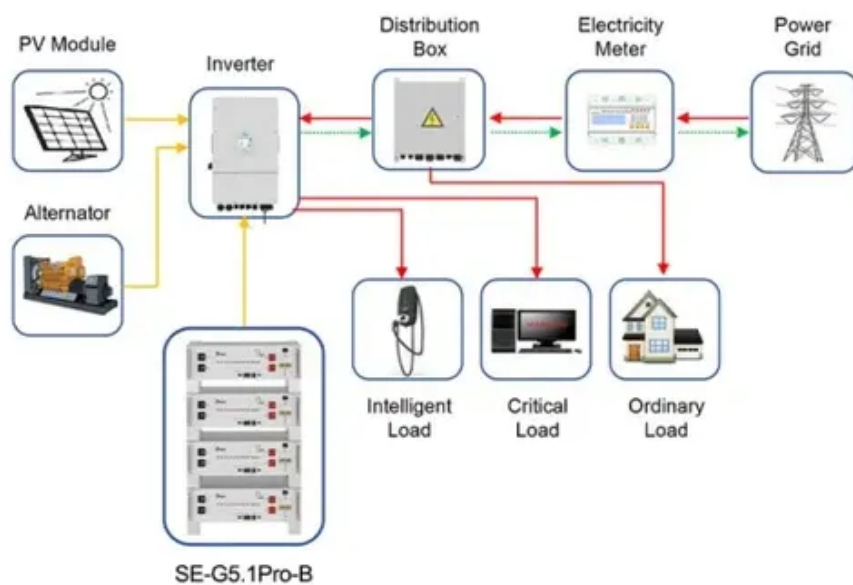




Eve 280ah 3 2 v lifepo4



Application scenarios of energy storage battery products





Eve 280ah 3 2 v lifepo4



[4 Pack EVE Lithium LF280K Version 3 280AH Certified ESS 3.2v cells](#)

EVE Lithium LF280K Version 3 are the best versions of the 280K cell line, these LiFePO4 prismatic cells that can be used in various applications from automotive, backup power, energy storage and other ...

EVE LF280K 3.2V LiFePO4 280Ah Battery

Specifications: Manufacturer EVE Energy Model LF280K Form Prismatic Nominal Capacity 280Ah Continuous Charge/Discharge Rating 1C (280A) Maximum Charge/Discharge Rating (30 Seconds)

...



(Pack of 4) EVE LF280K V3 Grade A Cells

The EVE LF280K LiFePO4 Prismatic Cell is a high-capacity lithium iron phosphate (LiFePO4) rechargeable battery, engineered for exceptional performance, safety, and longevity.



[USA Stock EVE LF280K 280Ah V3 8000cycles Grade A LiFePO4 310Ah 3.2V](#)

High capacity & Energy Density: Nominal capacity is 280Ah, tested ...



[USA Stock EVE LF280K 280Ah V3 8000cycles Grade A LiFePO4 ...](#)

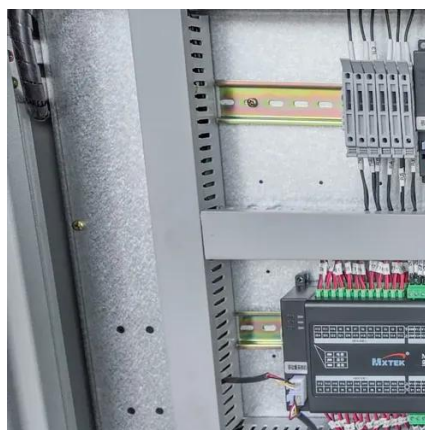
High capacity & Energy Density: Nominal capacity is 280Ah, tested fully load capacity is over 310Ah; Long cycle life: 8,000 cycles @80% SOC @ 25°, ensuring durability. Superior Safety: LiFePO4 ...



SMART GRID & HOME

[\(Pack of 4\) EVE LF280K 280Ah 3.2V LiFePO4 Prismatic Battery](#)

Featuring a nominal capacity of 280Ah and capable of a continuous 1C (280A) charge/discharge rate -- with short bursts up to 2C (560A) -- this cell is built for performance. It supports up to 6,000 life ...



[EV Grade A+ EVE 3.2V 280Ah Rechargeable LiFePO4 Battery Cell](#)

With a massive 280Ah capacity, this rechargeable LiFePO4 battery is ideal for solar energy storage systems, DIY powerwalls, off-grid setups, electric vehicles (EVs), and RV battery banks.

[4 Pack EVE Lithium LF280K Version 3](#)



[280AH Certified ESS 3.2v ...](#)

EVE Lithium LF280K Version 3 are the best versions of the 280K cell line, these LiFePO₄ prismatic cells that can be used in various applications from automotive, backup power, ...



EVE LF280K 3.2V 280Ah LiFePO₄ Battery Cell

EVE Brand New Grade A LF280K 3.2 V 280ah LiFePO₄ Battery Cell With 6000 life cycles and 2C discharge rate. Individual pricing for large scale projects and wholesale demands is available.



[EVE LF280K LiFePO₄ battery cells 3.2V 280Ah V3 Grade A 8000](#)

EVE 3.2V LiFePO₄ battery offers enhanced safety, long cycle life, high energy density, fast charging, wide temperature range tolerance, environmental friendliness, high power output, and maintenance ...



EVE 3.2V 280Ah Prismatic LiFePO₄ cell

EVE 3.2V 280Ah Prismatic LiFePO₄ cell. This battery is widely used in electric vehicles, electric motorcycles, solar power, energy storage, etc.



[EVE 280K LiFePO₄ Battery Cells 3.2V](#)



[280Ah 4pcs 290Ah Lithium ...](#)

10 YEARS LIFE/5000+ CYCLES: Our LiFePO4 Battery has better performance than the acid-lead battery at the same capacity, which can provide more power in daily use. All batteries are ...





Contact Us

For catalog requests, pricing, or partnerships, please visit:

<https://www.firmaskrzypek.pl>

Phone: +48 22 426 71 90

Email: info@firmaskrzypek.pl

Scan the QR code to access our WhatsApp.

