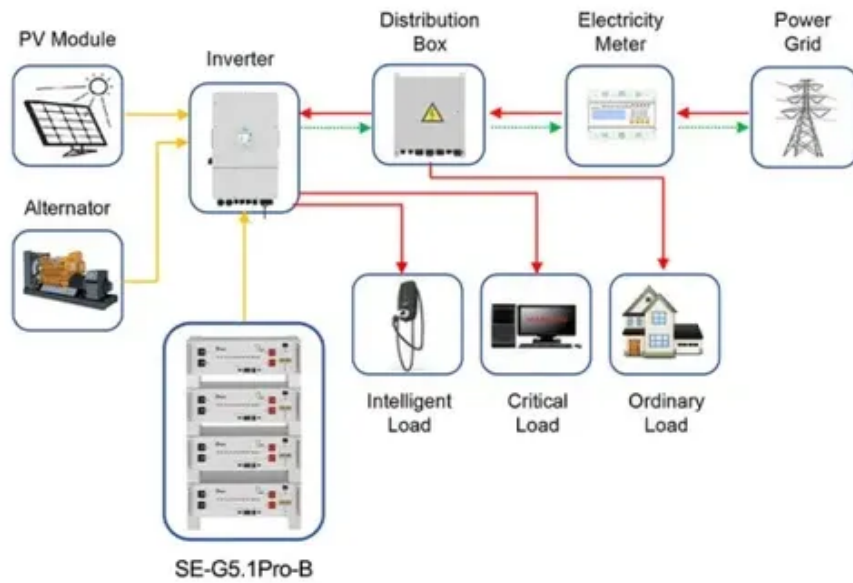




High power and high current DC inverter



Application scenarios of energy storage battery products





High power and high current DC inverter



Power Converters

High Power Inverters 5-500 kilowatt Inverters, AC Controllers and IGBT Inverters are available with Full Bridge, Half Bridge, 3-Phase Bridge, Chopper and Soft Start Circuits. Options include Air or Liquid ...

[Voltage Fed Full Bridge DC-DC & DC-AC Converter High ...](#)

ABSTRACT The High-Frequency Inverter is mainly used today in uninterruptible power supply systems, AC motor drives, induction heating and renewable energy source systems. The ...



High Voltage Solutions in HEV/EV Part II:

What will I get out of this session? Purpose: To provide an overview of complete high voltage power solutions in DC-DC Conversions and Tractions Inverters Introduction

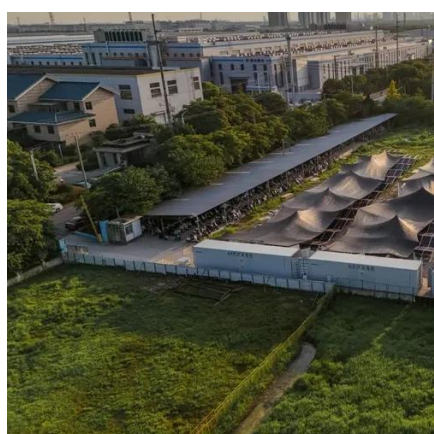
[high-power inverter based hybrid switch SiC+IGBT technology](#)

Hybrid switch configuration considered is 1:4 ratio (1 SiC + 3 IGBTs) Efficiency gain of full SiC Inverter and hybrid switch inverters vs IGBT inverter is from low load to medium load, generating ...



[Two-Stage Hybrid Isolated DC-DC Boost Converter for High Power ...](#)

A two-stage hybrid isolated dc-dc boost converter for high power and wide input voltage range applications is proposed. It can be used as a front-end dc-dc converter that can boost variable ...



HV inverters , Danfoss PowerSource

HV inverters HV inverters To power motors or other devices, high-voltage inverters convert direct current (DC) from batteries or generators to alternating current (AC). With nominal DC voltage up to 1 kV and ...



[How Does a DC to DC Inverter Work in High Power Converter](#)

Modern DC to DC inverter systems have replaced linear voltage regulators due to superior conversion efficiency exceeding 95% and better thermal management in high power ...



High-power DC/AC inverter, High-



power inverter

Find your high-power dc/ac inverter easily amongst the 14 products from the leading brands (VEICHI, SCU, Layer Electronics,) on DirectIndustry, the industry specialist for your professional purchases.



Best High Capacity Inverter [Updated: February 2026]

A high capacity inverter is defined by its ability to convert a significant amount of direct current (DC) power to alternating current (AC) power, typically exceeding 5 kilowatts (kW).

High Power Converters

Explore Zekalabs' rich catalog of high-power converters, inverters, and battery chargers. Designed and manufactured with the goal of enabling innovators and visionaries all over to world to ...





Contact Us

For catalog requests, pricing, or partnerships, please visit:

<https://www.firmaskrzypek.pl>

Phone: +48 22 426 71 90

Email: info@firmaskrzypek.pl

Scan the QR code to access our WhatsApp.

