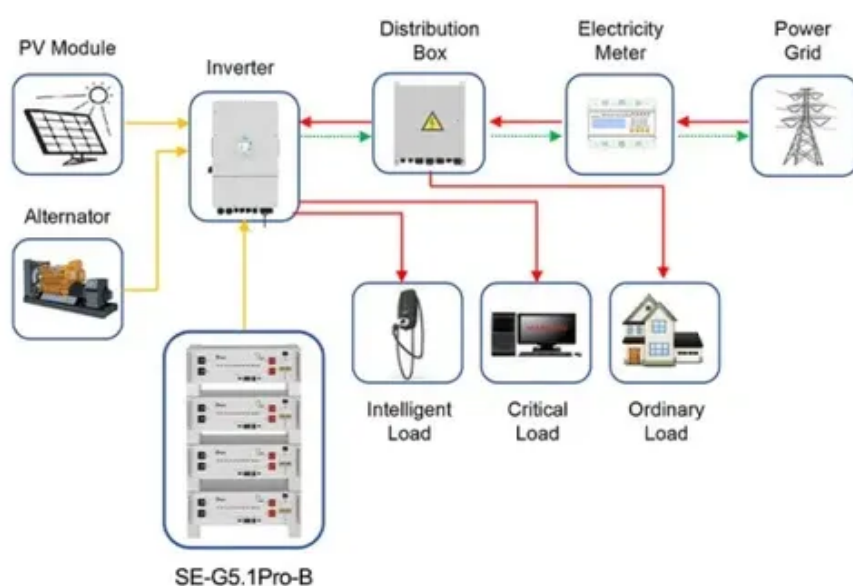




# The role of the photovoltaic panels horizontal plate and lower pressure plate



Application scenarios of energy storage battery products





## Overview

---

The varying heights of the plate-fins create a non-uniform pressure distribution, which helps to evenly distribute the airflow across the entire surface of the PV panels. This reduces hot spots and enhances the system's cooling effectiveness. Recent data from the 2024 SolarTech Industry Report shows that 23% of warranty claims in Q4 2023 were linked to mounting system failures - and pressure plates played a crucial role in 68% of these cases. Pressure plates in photovoltaic installations aren't the same as. The optical and protective structure is the part of solar panels responsible for managing incident light and isolating the internal components from the external environment. Located at the outermost layer of the module, it is the first structure exposed to environmental impacts. Although this. increases net PV plate power by 3%?

?

?

19. Continuous advances in concentrating photovoltaic (CPV) panel efficiency are increasingly affected by cell temperature. In the heating process, the maximum deformation. Does flat plate photovoltaic/thermal (pv/T) solar collector produce both thermal energy and electricity?

Flat plate photovoltaic/thermal (PV/T) solar collector produces both thermal energy and electricity simultaneously.



## The role of the photovoltaic panel s horizontal plate and lower pressure



### Photovoltaic panel horizontal plate middle pressure block

Crystalline photovoltaic panels are made by gluing several solar cells (typically 1.5 W each) onto a plate, as can be seen in Figure 1, and connecting them in series and

### Structural Analysis of Key Components of Plate Type Solar Cell ...

The plate-type laminator is driven by an electric cylinder, and the laminating plate directly applies pressure on the silica gel plate to laminate the battery components.



### **PHOTOVOLTAIC HORIZONTAL PANEL PRESSURE PLATE**

How does a PV panel work? In the PV panel, sunlight irradiates the glass, and a portion of heat is absorbed by the glass ( $Q_{in,g}$ ), owing to the temperature difference between the glass and

...



### Photovoltaic panel horizontal plate lower pressure plate

The present paper proposes a measure for improving the wind-resistant performance of photovoltaic systems and mechanically attached single-ply membrane roofing



## [What Are the Main Components of Solar Panels? A Structural ...](#)

Solar panels are not a single functional element, but modules composed of multiple structural units. Each component plays a distinct role in optical protection, electrical energy ...

## **How to use the photovoltaic panel pressure plate**

Wires capture the electrical current and combine current from all cells of a solar panel. Once the loose electrons generate an electrical current, metal plates on the sides of each solar cell collect those ...



## [How to use the horizontal support plate in photovoltaic panel ...](#)

Solar panel mounting systems play a key role in ensuring that photovoltaic (PV) installations operate at their best. Helical plates provide strong load-bearing capacity, so they do not need to be as long ...

## [The Critical Role of Pressure Plates in](#)



## Solar Photovoltaic Panel

You know, when we talk about solar panel installations, most people immediately think about photovoltaic cells or inverters. But here's the thing - without properly engineered pressure plates, ...



### **Photovoltaic pressure plate**

As the link between the photovoltaic panels and the support structure, they play a key role in fixing components, dispersing loads, and resisting wind pressure and snow loads.

### **Usage of photovoltaic panel pressure plate**

This study aims to examine the cooling method using a cold plate attached to the PV panel to lower its operating temperature. The cold plate consists of several guided channels or ribbed





## Contact Us

---

For catalog requests, pricing, or partnerships, please visit:

<https://www.firmaskrzypek.pl>

Phone: +48 22 426 71 90

Email: [info@firmaskrzypek.pl](mailto:info@firmaskrzypek.pl)

Scan the QR code to access our WhatsApp.

